

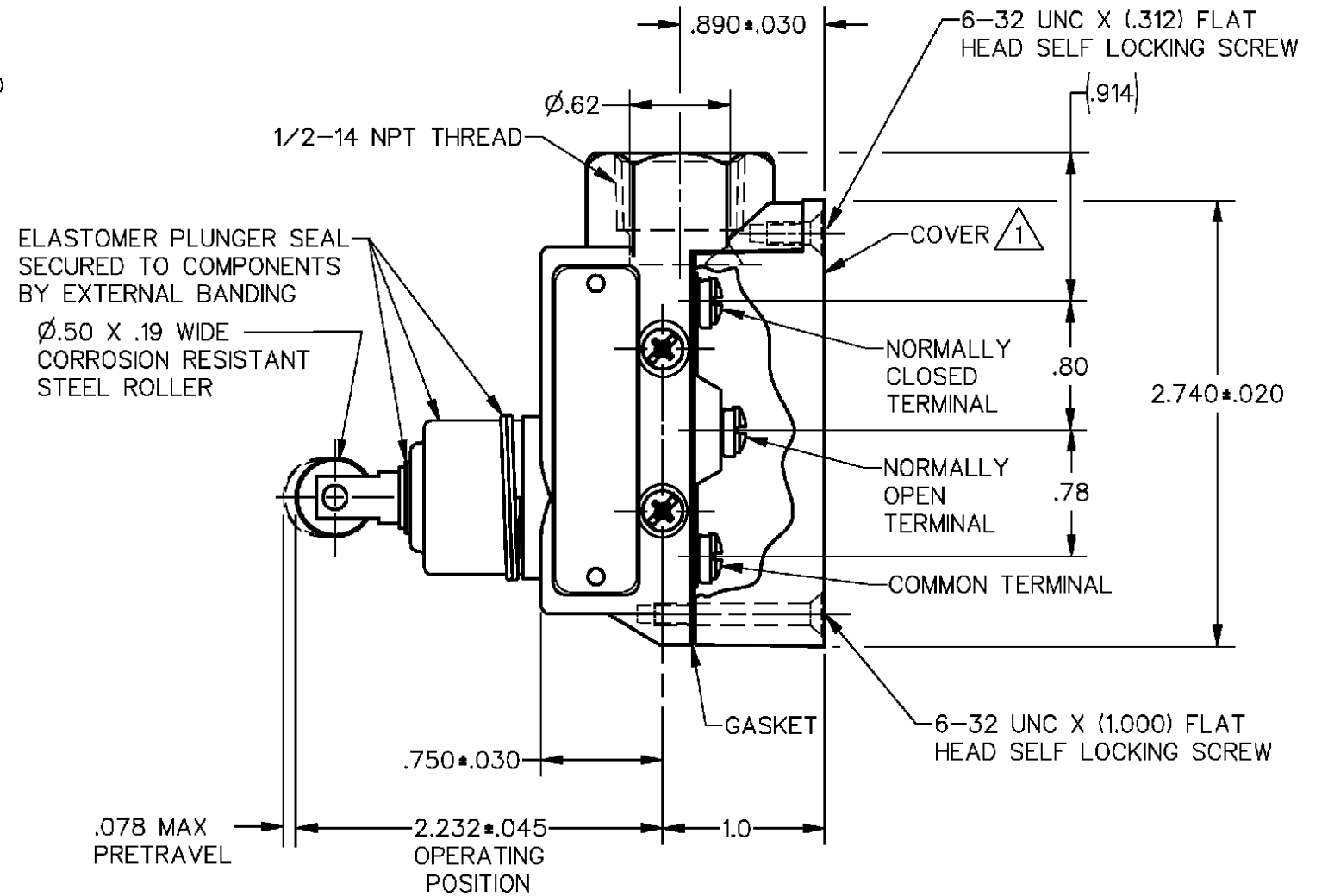
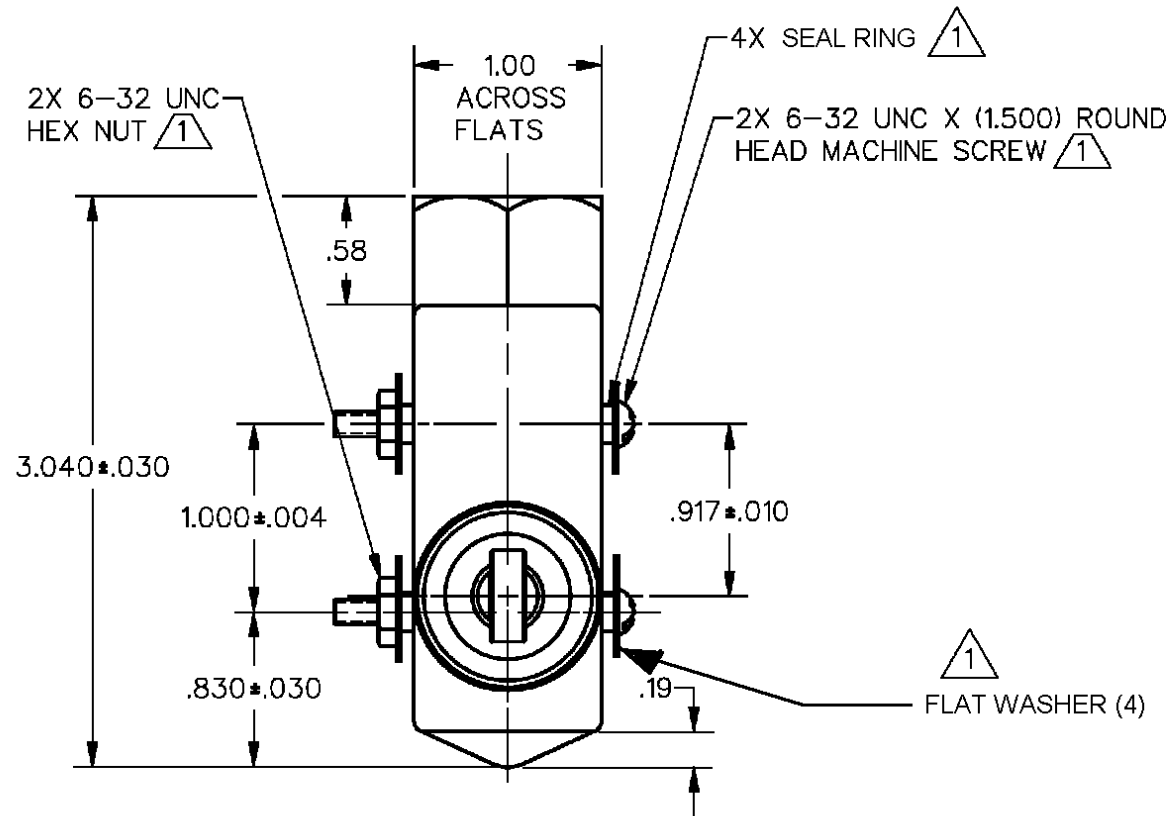
MICRO SWITCH
a Honeywell Division

SWITCH - ENCLOSED

CATALOG LISTING
BZE6-2RN80

FED. MFG. CODE 91929

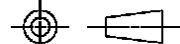
CATALOG LISTING
BZE6-2RN80
 REPLACES
 ISSUE **M** 11
 CHECK
 REVISIONS
 A CO-73738 S.A.V. 6 OCT 92
 B CO-73655 T.S.M. 22 APR 93
 C CO-77179A K.D.R. 17 FEB 94
 D 0017057
 V.K.R. 22 NOV 05
 CHECK
 22 NOV 05
 BP
 CHECK
 5 OCT 92
 DDM/CAD
 DRAWN



NOTE
 (1) FURNISHED UNASSEMBLED
 2 - 3X 6-32 UNC X (.219) BINDING HEAD TERMINAL SCREW AND CUPWASHER
 3 - SEAL RATING: NEMA1,3
 IP54

THIS DRAWING COVERS A PROPRIETARY ITEM AND IS THE PROPERTY OF MICRO SWITCH, A DIVISION OF HONEYWELL. THIS DRAWING IS NOT TO BE COPIED OR USED WITHOUT THE APPROVAL OF MICRO SWITCH

THIRD ANGLE PROJECTION



CHARACTERISTICS	
OPERATING FORCE	9-24 OZ
RELEASE FORCE	4 OZ MIN
DIFFERENTIAL TRAVEL	.0004-.0020
OVERTRAVEL	.219 MIN
BASIC SWITCH REPLACEMENT	BZ-2RN784

ELECTRICAL DATA	
CONTACT ARRANGEMENT S P D T	
L74	15A 125, 250 OR 480 VAC 2A 600 VAC 1/8HP 125 VAC, 1/4HP 250 VAC 1/2A 125 VDC, 1/4A 250 VDC
CE 1.5A, 240Vac	

SCALE FULL	
DO NOT SCALE PRINT	
UNLESS OTHERWISE SPECIFIED TOLERANCES ARE	
ONE PLACE	(.0) ± .030
TWO PLACE	(.00) ± .015
THREE PLACE	(.000) ± .005
ANGLES	±
WEIGHT	.56 LB APPROX

ANSI Y14.5M-1982 APPLIES